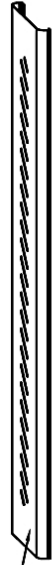
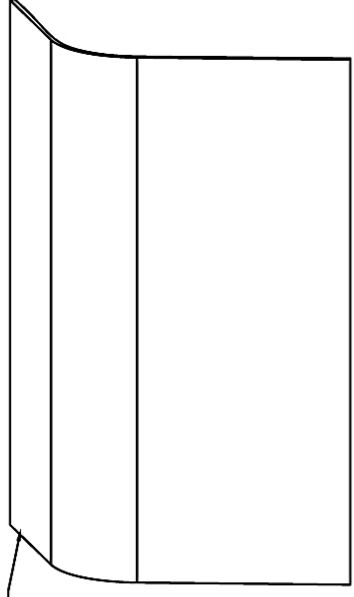


23、灯罩



24、弧形玻璃



25、玻璃滑槽



26、网架



27、工字槽



28、V型发热管



29、发热器底盘



30、发热器支架



31、散热底板



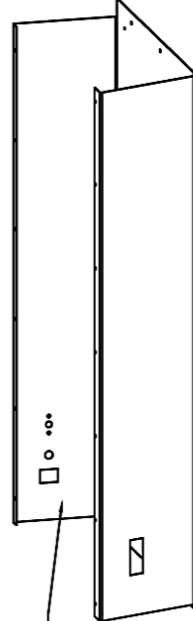
32、1/9不锈钢盖



33、散热板



34、主体框



35、草帽灯



38、温控器150°C



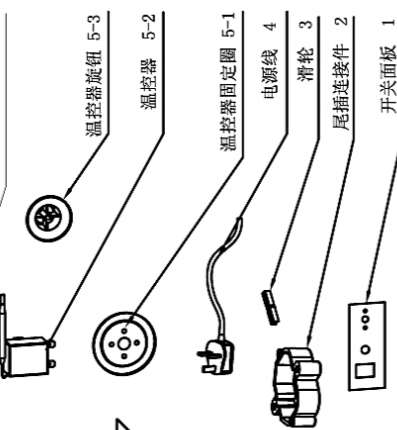
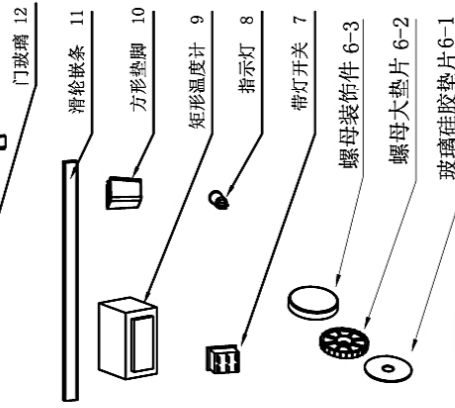
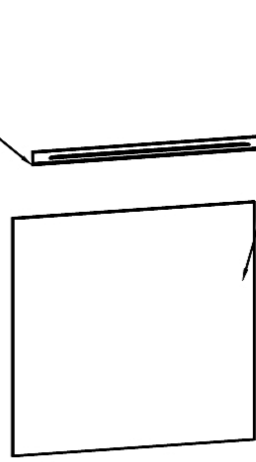
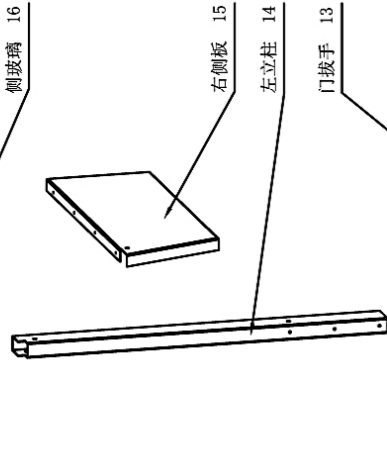
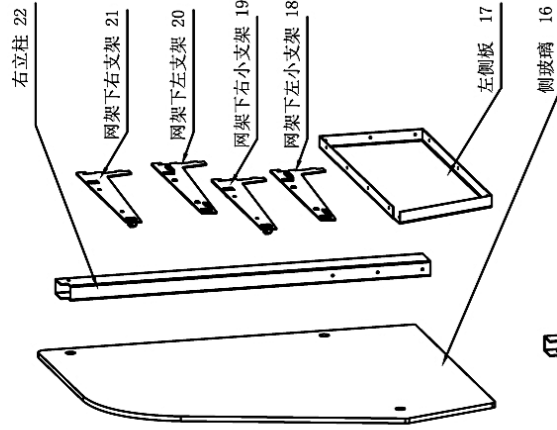
36、品字尾插公插座



39、温控器125°C



37、灯罩侧板



保温柜爆炸图

RTR-160L

39	I.1.A.A06.03.12	Control 125°C
38	I.1.A.A06.03.11	Control 150°C
37	I.1.C0C53.07	Side board of light cover
36	I.1.A.A11.10	Socket
35	I.1.A.A01.03.44	LED light
34	I.1.B.B14.01	Stainless housing
33	I.1.B.B14.08	Cool board
32	I.1.B.B15.20	1/9 DN pan
31	I.1.B.B14.12	Radiator bottom plate
30	I.1.B.B15.11	Heater brace
29	I.1.B.B14.07	Chassis of heater
28	I.1.B.B14.14	V-shaped heating element
27	I.1.B.B14.21	Sliding door track
26-1	I.1.B.B02.06.13	Chrome Shelf 1
26-2	I.1.B.B02.06.14	Chrome Shelf 2
26-3	I.1.B.B02.06.15	Chrome Shelf 3
25	I.1.B.B14.06	Sliding glass track
24	I.1.E.E2.01.48	Curved front glass
23	I.1.B.B14.13	Stainless light cover
22	I.1.B.B15.05	Right pillar
21	I.1.B.B15.10	Right shelf bracket
20	I.1.B.B15.09	Left shelf bracket
19	I.1.B.B15.19	Bottom right small bracket
18	I.1.B.B15.18	Bottom left small bracket
17	I.1.B.B15.02	Left panel
16	I.1.E.E2.02.50	Side glass
15	I.1.B.B15.03	Right panel
14	I.1.B.B15.04	Left pillar
13	I.1.B.B14.20	Door handle
12	I.1.E.E2.02.61	Door glass
11	I.1.B.B14.16	Door metal insert
10	I.1.C.C32.16	Base feet
9	I.1.A.A11.03	Temperature Display
8	I.1.A.A11.04	Indicator Light
7	I.1.A.A11.01	ON/OFF Switch
6-3	I.1.B.B14.19	nut Decoration
6-2	I.1.C.C48.32	nut gasket
6-1	I.1.C.C53.08	Decoration nut gasket
5-3		
5-2	I.1.A.A11.02	Temperature thermostat
5-1		
4	I.1.A.A08.02.86	Power Cord
3	I.1.B.B15.23	Castor
2	I.1.C.C57.08	Socket
1	I.1.B.B15.27	Control panel
序号		物料代码
		名称